

# PALLET DOLLY

JET  
ENGINEERING S.A.

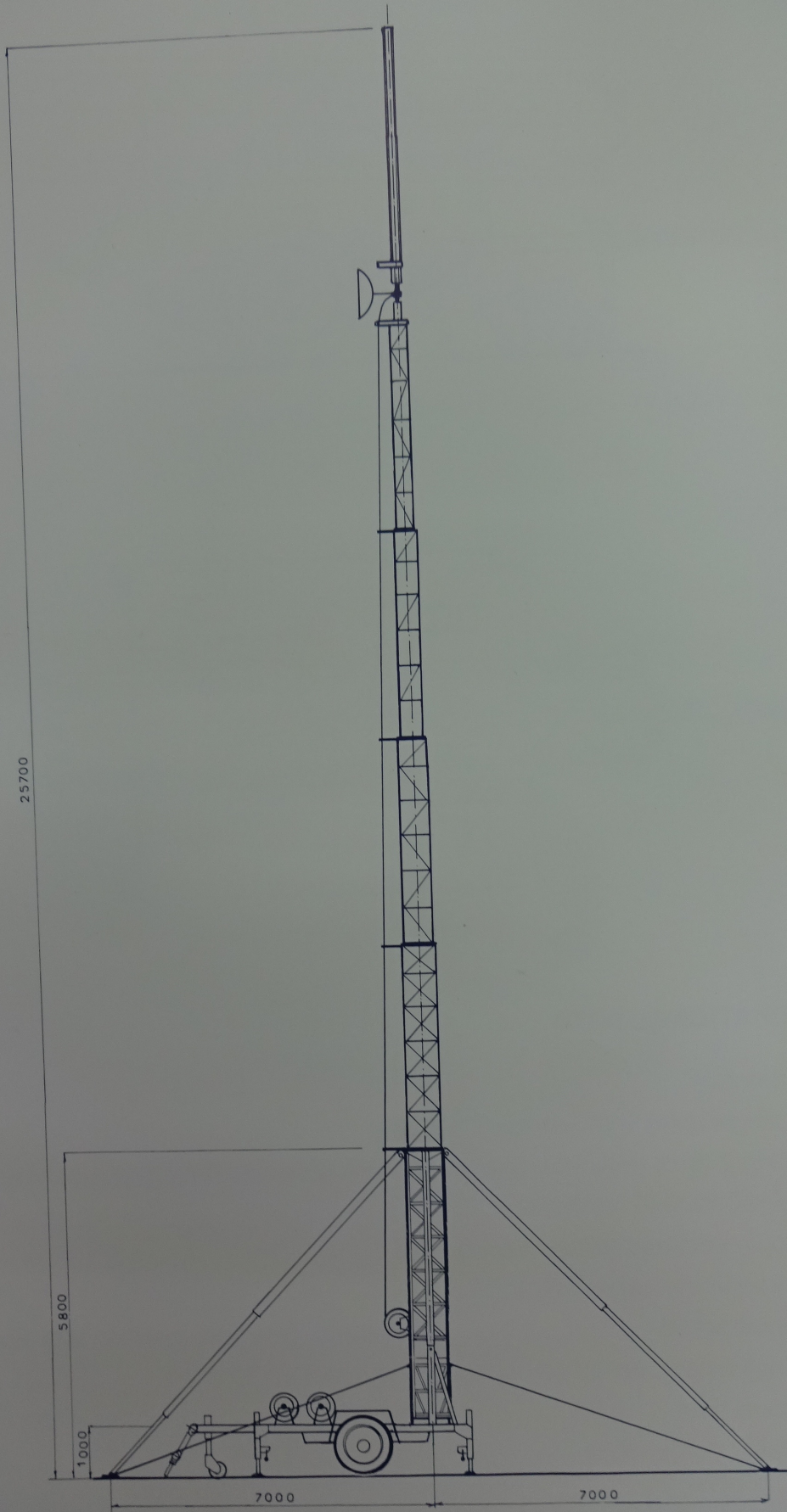
**MODEL No. J-PD8896-125**

## TECHNICAL / OPERATIONAL DATA

- Suitable for .88"x125" Pallets  
» .96"x125" Pallets
- Payload :8,000 Kg
- Deck height :500 mm  
(different deck heights for military transport a/c's)
- Deck level with 64 rollers
- Roller deck with 360° turning capability and stoppers every 90°
- Loading and unloading from all sides
- Driving speed up to 30 KM/HR
- Towbar with parking brake and tow-eye
- Trailer coupling

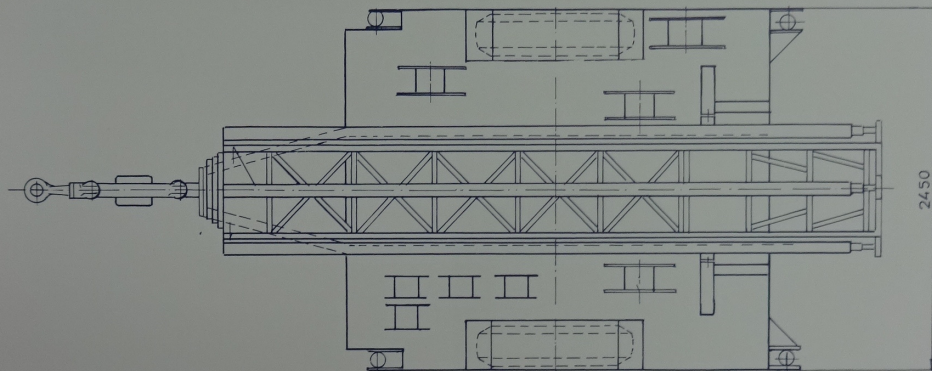
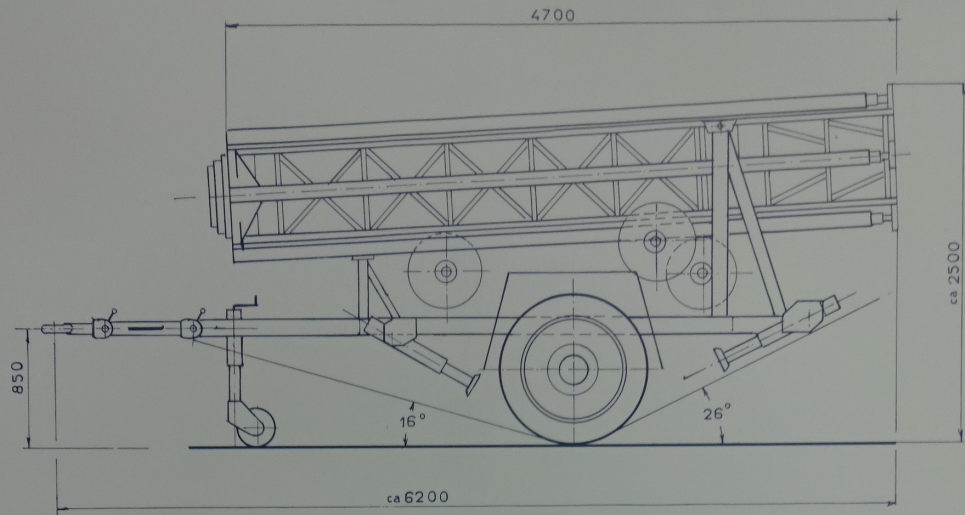


**MODEL No. TCM-TM-25M**



# COMMUNICATIONS MASTS

## MODEL No. TCM-TM-25M



### TECHNICAL / OPERATIONAL DATA

- Mast height: 25 metres
- Trailer mounted (single axle) with "off-road" mobility
- Suitable for mounting 2 (two) antennae with 1.0 m<sup>2</sup> EPA (Effective Projected Area) each and rotators
- Max. wind speed: 150 KM/HR (stationary)
- Aluminium telescopic sections (lattice tower)
- Extension / retraction in the vertical direction
- Lowering from the retracted vertical position to horizontal (storage) position and vice versa
- Operation at soil inclinations (longitudinal and transverse) up to  $\pm 15^\circ$
- Minimum deployment time
- Minimum mast / trailer dimensions

**OTHER MAST HEIGHTS AND CONFIGURATIONS AVAILABLE UPON REQUEST**

# C-130 GROUND SUPPORT EQUIPMENT

→ **JET**  
ENGINEERING S.A.

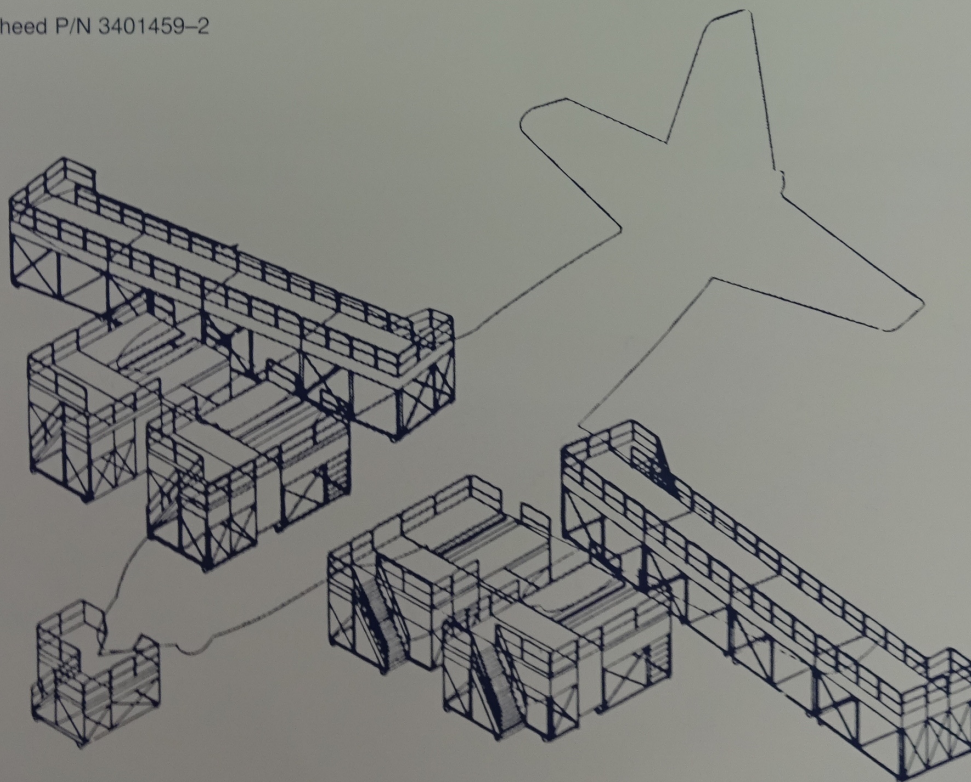


## **DOLLY, NOSE RADOME**

Replaces Lockheed P/N 3401350-1

## **MAINTENANCE PLATFORM**

Replaces Lockheed P/N 3401459-2

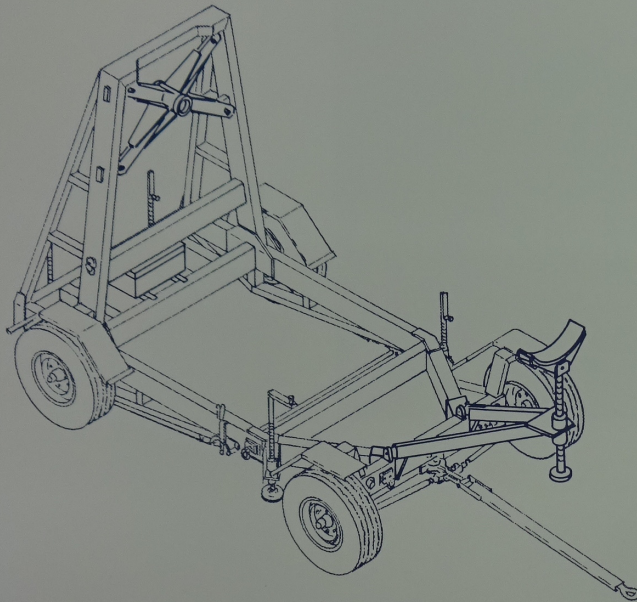


# C-130 GROUND SUPPORT EQUIPMENT

**JET**  
ENGINEERING S.A.

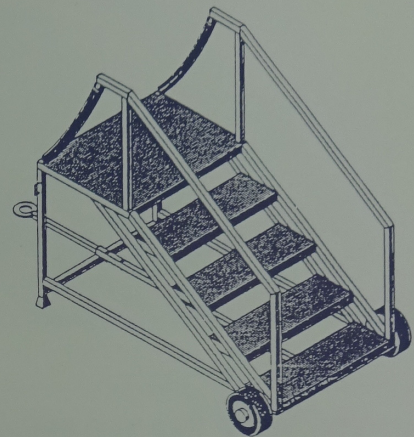
## **DOLLY, QEC (QUICK ENGINE CHANGE)**

Replaces Lockheed P/N 200-000-104



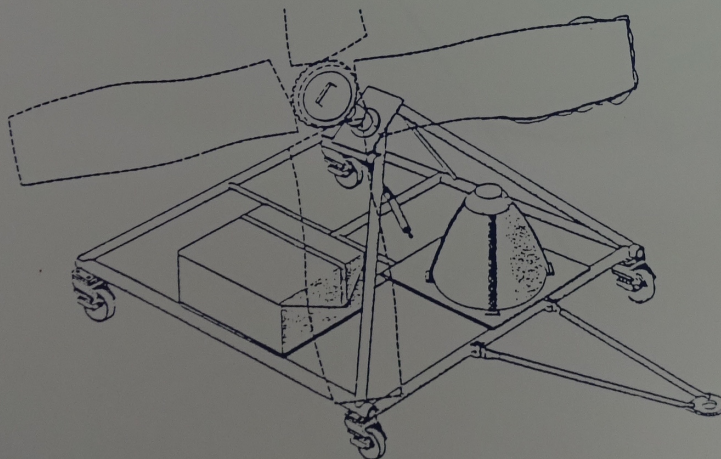
## **BOARDING LADDER (Aft entry)**

Replaces Lockheed P/N 9 SWS-7865-1D



## **DOLLY, PROPELLER TRANSFER**

Replaces Lockheed P/N 3400847-17



## **BOARDING STAIRS (Aft entry)**

Replaces Lockheed P/N 7049-010



**OTHER C-130 GSE (GROUND SUPPORT EQUIPMENT) AVAILABLE UPON REQUEST**